

# Betts Industries, Inc.

1800 Pennsylvania Ave. West  
Warren, PA 16365 U.S.A.

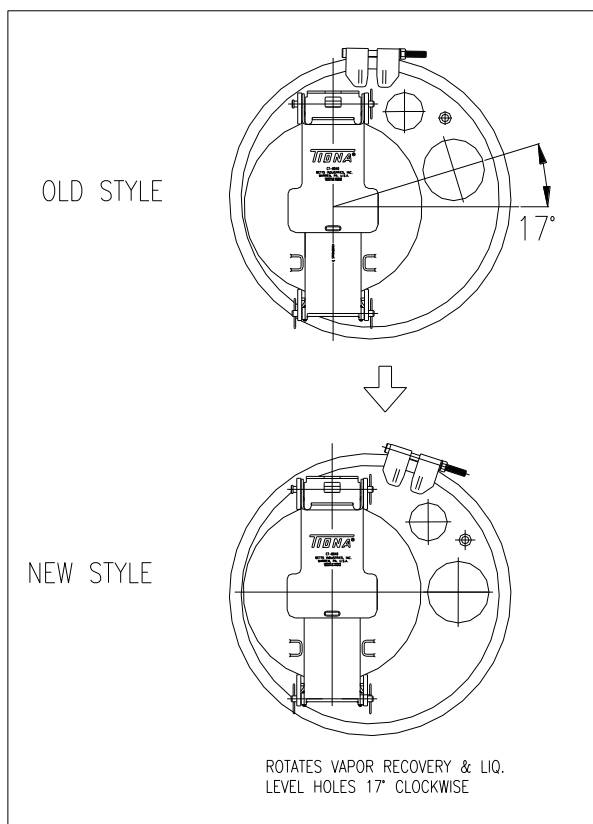
## Engineering Bulletin 1-2005

Date: June 2, 2005

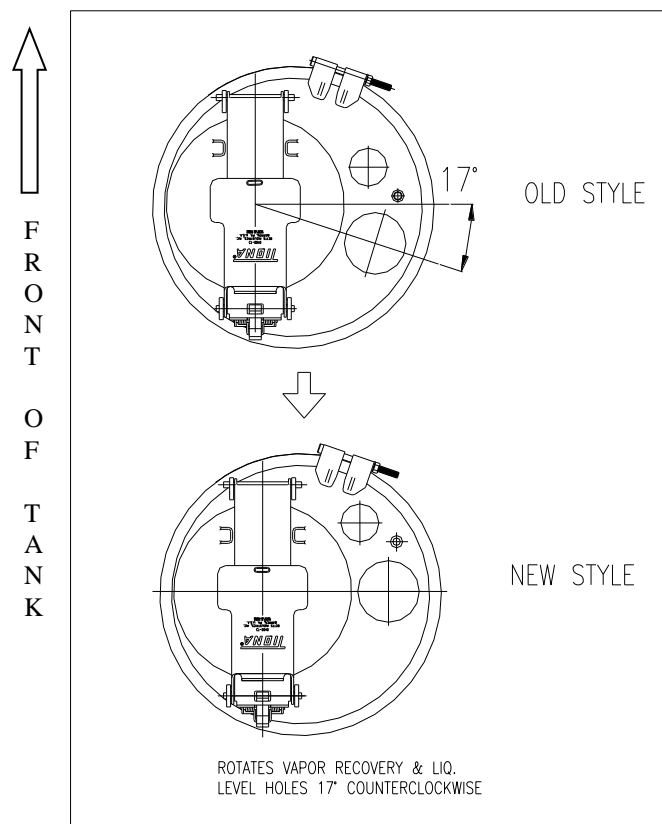
Subject: 16" Offset PAF Manhole Orientation Change

In order to provide a more universal, standardized manhole and to prevent interference between the 10" fill cover and the liquid level switch, all holes have been rotated 17° in the clockwise direction on the standard manhole and 17° in the counter-clockwise direction on the self-latch model.

### 16" OFFSET MANHOLE



### 16" OFFSET SELF-LATCH MANHOLE



**PLEASE NOTE:** All manholes built with this new layout can be converted in the field between the standard and the self-latching styles. All hole locations are standard regardless of style.