

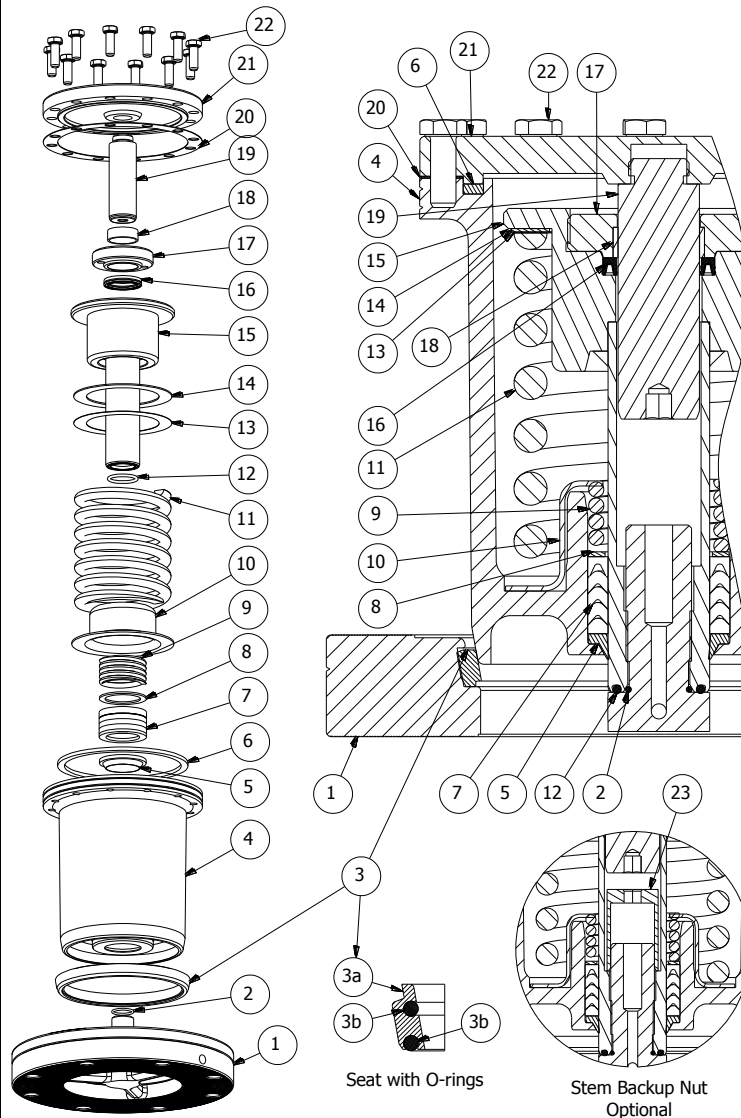
Internal Chemical Hydraulic Valve

4" Sump Mount

Page 2 of 2

PARTS LIST

No.	Description	Req'd.	Material	Part #
1	Seat Flange	1	316 Stainless	46937SS
2	Backup O-Ring	1	FKM	3926VT
3	Replaceable Seat	1	PTFE	16644TF
			FFKM	16644KA
			FKM - A	16644VT
			FKM - GFLT-S	16644VF
3a	Alternate seat w ith O-Rings	1	PTFE/Tef-Sil	18897TFTS
3b	Seat O-Ring only	2	Tef-Sil	18246TS
			FFKM	18246KA
4	Disc	1	316 Stainless	27996LC
			Hast. C-22 Trim	27996LH
5	Wiper	1	PTFE	15862TF
			PEEK	15862PK
6	Gasket – Cover Plate	1	PTFE	17295TF
7	Packing Rings	Set of 5	PTFE	15759TF
8	Follow er Washer	1	316 Stainless	19594SS
9	Spring - Stuffing Box	1	316 Stainless	19616SS
10	Packing Retainer	1	316 Stainless	19446SS
11	Main Spring	1	316 Stainless	16890SS
12	Stem O-Ring	1	Tef-Sil	75206TS
13	Shim-Main Spring	1	304 Stainless	16866SL
14	Backup Shim	1	PTFE	16867TF
15	Stem/Spring Retainer	1	316 Stainless	75224SS
16	Main Seal	1	302SS/PTFE	75207SSTF
17	Seal Retainer Ring	1	316 Stainless	75162SS
18	Bearing	1	Carbon PTFE	75455TF
19	Piston	1	303 Stainless	75161SL
20	Filler Gasket	1	PTFE	19720TF
21	Cover Plate	1	316 Stainless	75160SS
22	Cap Screw	12	316 Stainless	9Q3305
23	Optional Stem Backup Nut	1	304 Stainless	75535SL



Replacement Kit of Teflon Parts:

CH75358TF - Includes items – 2,3,5,6,7,8,9,12,13,14,16,18,20

CH75358TFTS - Includes items – 2,3a,5,6,7,8,9,12,13,14,16,18,20

Conversion Kit to Convert from CH45843SST to CH47003SST:

CH75393TF - Includes items – 1,2,3,5,6,7,8,9,12,13,14,15,16,17,18,19,20,21

CH75393TFTS - Includes items – 1,2,3a,5,6,7,8,9,12,13,14,15,16,17,18,19,20,21

For more detailed instructions, see maintenance manual MM-CH005 or maintenance video MV-CH005.

WARNING Use only genuine Betts Industries, Inc. replacement parts. Use of substitute parts can impair the proper functioning of this product and void all warranties.



Designed, engineered and manufactured in the USA. 