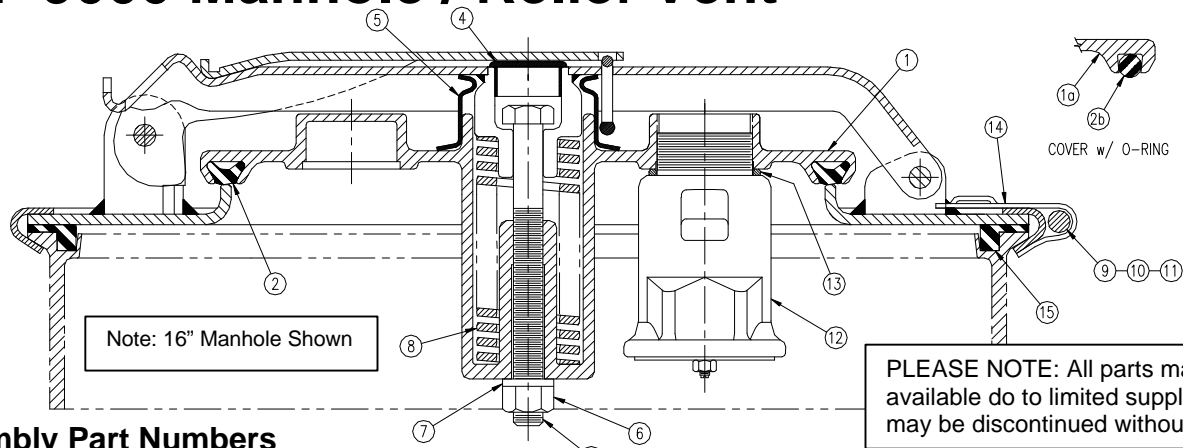


Obsolete Section

Replacement Parts Only

PAF 9000 Manhole / Relief Vent



Assembly Part Numbers

FVA9110 ___ - 10" Fill Style

FVA9416_X - 16" Manhole

FVA9442_X - 16" Manhole Self Latch Style

FVA9412_X - 12"x16" Manhole

FVA9420_X - 20" Manhole

FVA9463_X - 20" Manhole Self Latch Style

Please Note: The standard PAF 9000 relief cover (8046AL) is **no** longer available. An available replacement cover kit is designated as "Model PAF 9000-R" (The "R" stands for replacement). The kit consists of a cover, spring, and bolt that must be used in conjunction with each other. If a new cover is required, the kit must be used. Once the 9000-R cover is installed, the designated replacement springs or bolts must be used on the PAF 9000-R. If a replacement spring or bolt is needed for the original 9000 cover, the original components listed below must be used.

No.	Description	Mat'l	Part No.
1	Cover Kit – PAF 9000-R Includes (Cover (8382AL), Spring (3859EY), & Bolt (3876SL).	Alum.	8046AL-KIT
	Cover Kit – PAF 9000-R Includes (Cover (8382AL), Spring (3859EY), Bolt (3876SL), & Gasket (3119*).	Alum.	8046AL*-KIT
	Cover Kit – PAF 9000-R with prov. for 2 vents. Includes (Cover, Spring (3859EY), Bolt (3876SL), and Gasket (3119*).	Alum.	8046AL*167-KIT
1a	Cover Kit w/ O-Ring groove– PAF 9000-R Includes (Cover, Spring (3859EY), & Bolt (3876SL).	Alum.	8253AL-KIT
	Cover Kit w/ O-Ring Groove– PAF 9000-R Includes (Cover, Spring (3859EY), Bolt (3876SL), & O-ring (3902TS).	Alum.	8253ALTS-KIT
2	Gasket-Relief Valve	Buna-N	3119BN
		Viton	3119VT
		Wh. Hyp	3119WH
2a	O-Ring	Tef-Sil	3902TS
3	Bolt – Original PAF9000	Stnls 304	3139SL
		Stnls 304	3876SL
4	Plastic Cap	Polyethyl	9Z6150
5	Bellows	EPDM	3998BU

No.	Description	Mat'l	Part No.			
6	1/2"-13 Nut	Steel Zc Pt	9Q5812			
		Stnls 304	9Q5853			
7	Washer	Stnls 304	3575SL			
8	Spring-Original PAF9000	Gray Chr. Sil	3129EY			
		Spring – PAF 9000-R	Blk Chr. Sil	3859EY		
9	Bolt - Clamp	Steel Zc Pt.	3029ZC			
		Stnls 304	3029SL			
10	3/8"-16 Nut-Clamp	Brass	3030BR			
		Stnls 304	9Q5809			
11	Washer – Clamp	Steel Zinc Pt.	3031ZC			
		Stnls 304	3031SL			
12	Vent Assem.	Alum/Stnls	6238AL*			
		Buna-N	17211BN			
		Viton	17211VT			
		EPDM	17211EP			
		PTFE	17211TF			
No.	Description	Mat'l	Part No.			
			16"	12"x16"	20"	
14	Clamp-ring	Steel	3028MS	3040MS	3036MS	
		Steel Zinc Pt.	3028ZC	3040ZC	3036ZC	
		Stnls 304	3028SL	3040SL	3036SL	
15	Manhole Gasket	B	Buna-N	3559BN	3494BN	3560BN
		V	Viton	3559VT	3494VT	3560VT
		W	Wh. Hypalon	3559WH	3494WH	3560WH
		T	Tef. Env.w/ Wh. Hyp	3025TF	3038TF	3033TF

* Insert appropriate letters to signify seal material: BN = Buna-N, VT = Viton, WH = White Hypalon