

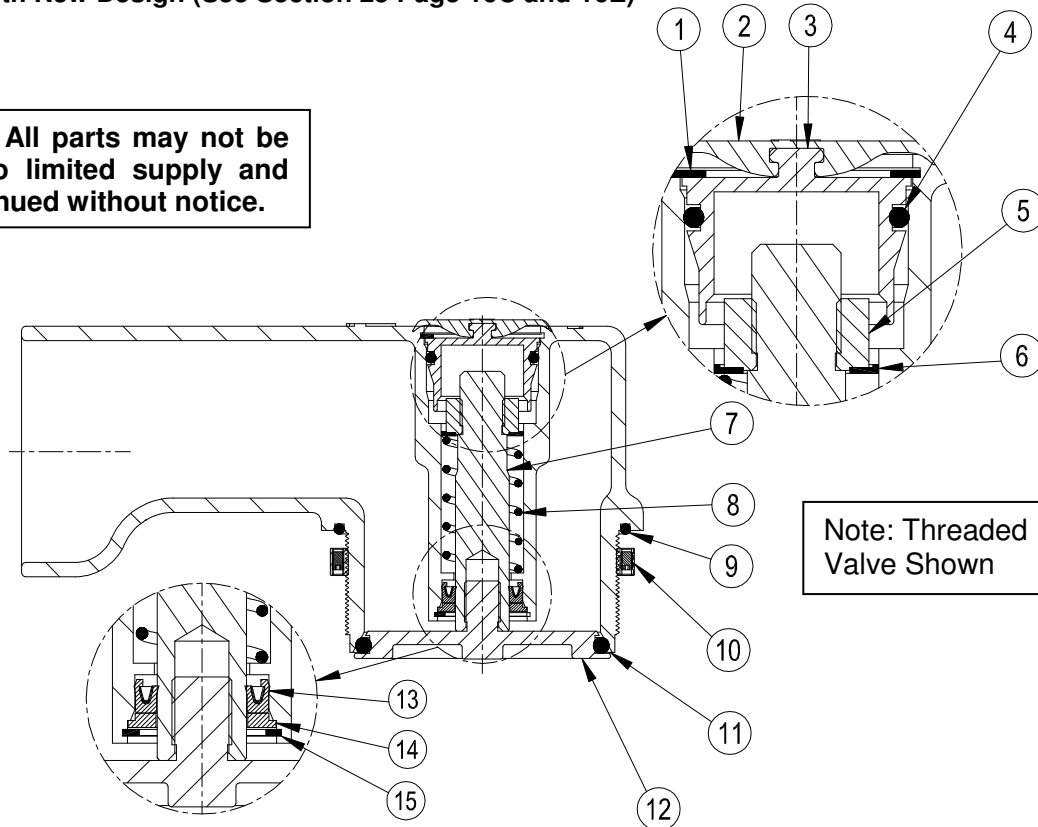
Obsolete Section

Replacement Parts Only

3-1/2 NON-Interlock Alum. Vapor Valve

Replaced with New Design (See Section 25 Page 16C and 16E)

PLEASE NOTE: All parts may not be available due to limited supply and may be discontinued without notice.



Assembly Part Numbers

AV46865ALTS – Bolted Mount Vapor Valve

AV46864ALTS – Threaded Mount Vapor Valve

NO.	DESCRIPTION	REQ	PART NO.	MATERIAL
1	Cap Retaining Ring	1	9Q4977	Stainless Steel
2	Rubber Rain Cap	1	75010EP	EPDM
3	Air Cylinder Cap	1	19957ALEY	Alum./E-coat
4	Cap O-ring	1	19971BN	Nitrile
			19971VT	FKM 'A'
			19971FS	Fluorosilicone
5	Spring Retainer Nut	1	19934AL	Aluminum
6	Spring Ret. Washer	1	19959BR	Brass
7	Stem	1	75006AL	Alum./Anodized
8	Spring	1	19960SL	302 SS
9	Mounting O-Ring (threaded version)	1	17657VT	FKM 'A'
			17657VB	FKM 'BLT'
10	Mounting Ring w/ Set Screws (threaded version)	1	19950AL	Aluminum

NO.	DESCRIPTION	REQ	PART NO.	MATERIAL
11	O-ring Seat	1	19930TS	Tef-Sil
			17890VT	FKM 'A'
			17890VB	FKM 'BLT'
12	O-ring Holder	1	28033AL	Aluminum
13	Shaft Seal	1	75462SLTF	PTFE/SS
14	Seal Retainer	1	19958AL	Aluminum
15	Retaining Ring Shaft Seal	1	9Q4976	Stainless Steel

Mounting Hardware for Bolted Version

9a	Gasket (bolted version)	1	RGA301CB	Cork Buna (Other Mat'l Avail. See Sec. 40, page 2A)
10a	Bolts & Lock washers (bolted version)	1	75002ZC	Steel/Zn Plt.
			75002SL	304 Stainless

Seal Kit # AV75603TS (threaded version) includes: (4), (11), (13), (9), (2).

Seal Kit # AV75604TS (bolted version) includes: (4), (11), (13), (9a), (2).