

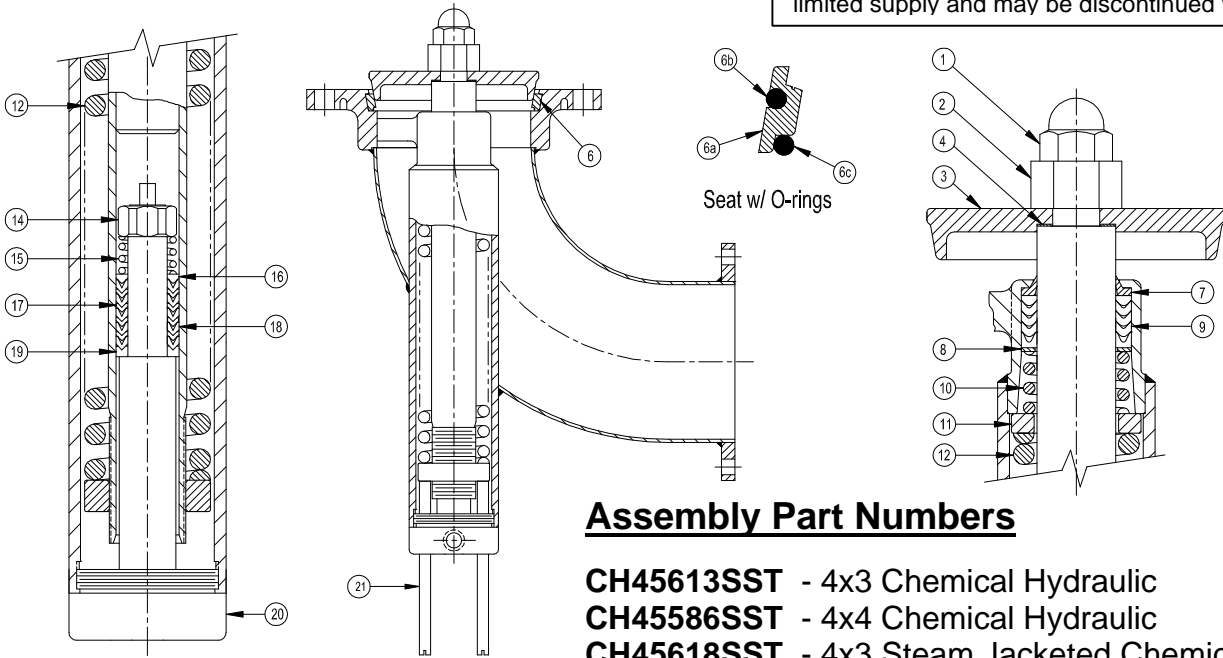
# Obsolete Section

**Replacement Parts Only**

## Chemical Hydraulic Valve & Steam Jacket Valve

Replaced with New Designs (See Section 35)

PLEASE NOTE: All parts may not be available do to limited supply and may be discontinued without notice.



Replacement Kit of Teflon Parts  
 CH17828TF-Includes items 4,6,7,9 and 18  
 CH19032TF-Includes items 4,6a,7,9 and 18

### Assembly Part Numbers

- CH45613SST** - 4x3 Chemical Hydraulic
- CH45586SST** - 4x4 Chemical Hydraulic
- CH45618SST** - 4x3 Steam Jacketed Chemical Hydraulic
- CH45616SST** - 4x4 Steam Jacketed Chemical Hydraulic
- CH45670MSB** – 6” Hot Products Hydraulic

(Internal components the same. See Sec 35 page 6D for Hot Products Disc and Seal components)

No.	Description	Req.	Material	Part No.
1	Cap Nut	1	316 Stnls	16672SS
2	Cap Collar	1	316 Stnls	16671SS
3	Disc	1	316 Stnls	16743SS
4	Teflon Washer	1	Teflon	16690TF
6	Replaceable Seat	1	Teflon	16644TF
6a	Replaceable Seat w/ O-Rings		Tef-Sil	18897TFTS
6b	Seat O-Ring only	1	Tef-Sil	18246TS
6c	O-Ring	1	Tef-Sil	18834TS
7	Wiper	1	Teflon	15862TF
8	Follower Washer-Stuffing Box	1	316 Stnls	19594SS
9	Packing Rings-Stuffing Box	Set	Teflon	15759TF

No.	Description	Req.	Material	Part No.
10	Spring-Stuffing Box	1	316 Stnls	19616SS
11	Washer-Main Spring	1	304 Stnls	15684SL
12	Main Spring	1	Chr. Van.	18850EY
14	Retainer Nut-Piston	1	304 Stnls	15630SL
15	Spring-Piston	1	316 Stnls	15652SS
16	Male Adapter-Piston	1	304 Stnls	15629SL
17	Separator Rings-Piston	4	304 Stnls	15628SL
18	Packing Rings-Piston	Set	Teflon	15634TF
19	Female Adapter-Piston	1	304 Stnls	16732SL
20	Piston	1	304 Stnls	25757SL
21	Indicator Pins	2	304 Stnls	16133SL

### MAINTENANCE INSTRUCTIONS

TO REPLACE DISC: Hold nut No.2 and remove nut No.1. The disc No.3 can be removed. Care should be taken not to damage or lose teflon washer No.4.

TO REPLACE STUFFING BOX PACKING: Disconnect hydraulic line. Remove indicator pins No.21 and piston assembly No.20. Use spanner wrench remove nut No.13. This nut loads the main spring and care should be taken in removing not to allow disc to turn and damage the seat. Hold nut No.2 to prevent this. Remove main spring, washers, and stuffing box spring. Remove old packing and replace with a full set of new packing. (If packing has become solid due to solidification of product, it may be necessary to remove stem No.5 to replace packing)

TO REPLACE PISTON PACKING: Disconnect hydraulic line. Remove indicator pins No.21. The piston assembly No.20 may then be removed and packing replaced. Use only full sets of packing for best results.

We suggest the use of NEVER-SEEZ anti-seize and lubricating compound or equal on all threads.