

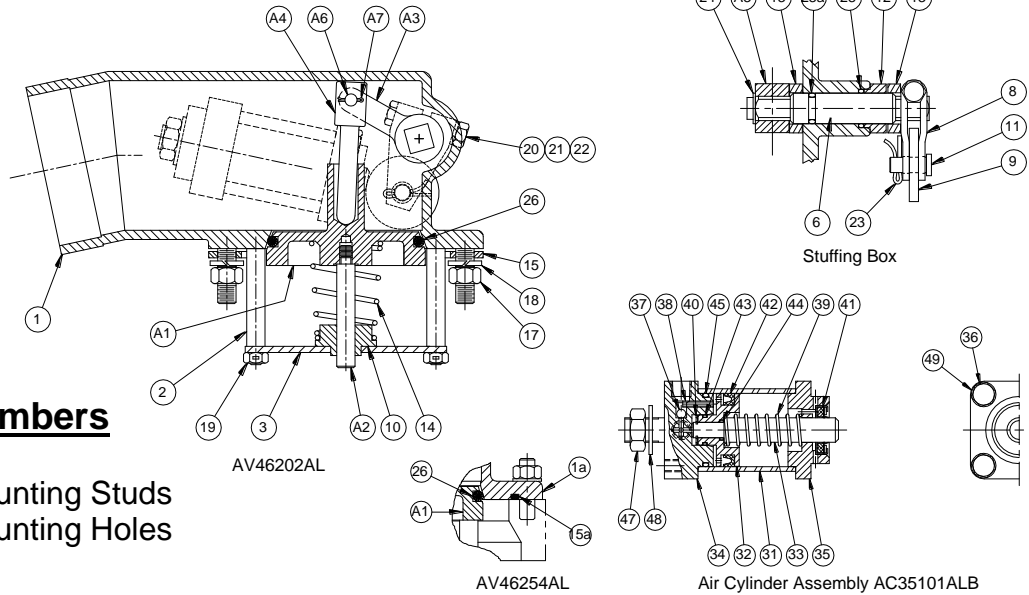
# Obsolete Section

Replacement Parts Only

## Air Operated Metal Hooded Vapor Valve

Replaced with New Designs (See Section 25)

**PLEASE NOTE:** All parts may not be available do to limited supply and may be discontinued without notice.



### Assembly Part Numbers

AV46202ALTS - 8 Mounting Studs

AV46254ALTS - 4 Mounting Holes

No	Description	Req.	Material	Part No.
1	Body (8 Studs)	1	Aluminum	46238AL
1a	Body (4 Holes)	1	Aluminum	46255AL
2	Post	4	316 Stnls.	18476SS
3	Stem Guide Plate	1	Aluminum	18477AL
6	Cam Shaft	1	Aluminum	18520AL
8	Lever	1	Steel Zinc Plt.	18357EY
9	Roller Disc	1	Aluminum	18356AL
10	Stem Bushing	1	Teflon	18492TF
11	Roller Pin	1	Steel Zinc Plt.	18354ZC
12	Spacer Sleeve	1	Aluminum	18467AL
13	Collar	2	Teflon	18546TF
14	Spring	1	Steel "E" Coat	18742EY
15	Flange Gasket	1	Cork/Buna-N	18360CB
15a	O-Ring	1	Teflon/Silicon	18468TS
17	Hex. Nut $\frac{3}{8}$ -16UNC Thd.	8	316 Stnls.	9Q5809
18	Lockwasher $\frac{3}{8}$	8	Stnls.	9Q5906

No	Description	Req.	Material	Part No.
19	Hex. Nut 1/4-28UNF Thd.	4	Steel Zinc Plt.	9Q5807
20	Cap Screw 1/4-20UNC x 1.75	1	Steel Zinc Plt.	9Q5825
21	Hex. Nut 1/4-20UNC Thd.	1	Steel Zinc Plt.	9Q5806
22	Lockwasher $\frac{1}{4}$	1	Steel Zinc Plt.	9Q5845
23	Cotter Pin $\frac{3}{32}$ x $\frac{7}{8}$	1	Stnls. Steel	9Q5866
24	Cam Retainer	1	Stnls. Steel	9Q4933
26	Seat O-Ring	1	Teflon/Silicon	18580TS
28	Cam Shaft O-Ring	1	Teflon/Silicon	17946TS
28a	Cam Shaft O-Ring	1	Viton	18141VT
A1	O-Ring Disc Holder	1	Aluminum	19409AL
A2	Stem	1	316 Stnls.	19410SS
A3	Cam	1	316 Stnls.	19411SS
A4	Push Rod	1	316 Stnls.	19412SS
A6	Clevis Pin	1	Stnls. Steel	9Q4725
A7	Cotter Pin	1	316 Stnls.	9Q5870

### PARTS LIST FOR AC35101ALB AIR CYLINDER

31	Cylinder	1	Aluminum	18518AL
32	Piston	1	Aluminum	18516AL
33	Shaft	1	304 Stnls.	18517SL
34	Air Inlet End Plate	1	Aluminum	18514AL
35	Shaft End Plate	1	Aluminum	18515AL
36	Cap Screw $\frac{1}{4}$ -28UNF x 3	4	Steel Zinc Plt.	9Q5052
37	Ball $\frac{3}{16}$ Dia.	1	316 Stnls.	9Z4853
38	Roll Pin $\frac{1}{8}$ x $\frac{5}{8}$	1	Steel	9Q4924
39	Spring	1	Steel Zinc Plt.	18586ZC

40	Piston Retaining Ring	1	Steel Zinc Plt.	9Q4959
41	Wiper Scraper Seal	1	Steel-Brass	19048MS
42	"U" Cup Piston Seal	1	Buna-N	18589BN
43	O-Ring-Interlock Seat	1	Buna-N	18590BN
44	O-Ring-Piston Seal	1	Buna-N	18591BN
45	O-Ring-End Plate Seal	1	Buna-N	18592BN
47	Hex. Nut $\frac{1}{2}$ -20UNF Thd.	1	Steel Zinc Plt.	9Q5910
48	Lockwasher Ext. Tooth $\frac{1}{2}$	1	Steel Zinc Plt.	9Q5918
49	Lockwasher $\frac{1}{4}$	1	Steel Zinc Plt.	9Q5815