

	Form Title:	ENGINEERING BULLETIN	Document #: EB-02-17 <small>(Form: DEF-003A-1)</small>
			Revision: 1
	Document Title:	Wet-R-Dri Valve Product Family Changes and New Product Introduction	Date: Dec. 2017
			Page: 1 of 4

Description of Bulletin: This bulletin provides details on changes to Betts' Wet-R-Dri product line. A new lightweight aluminum handle will be available and will be used in a new metering handle assembly (28981ALEY). A new metering valve will replace the old metering and locking valve. Also, a hydraulic actuated option is now available.

Background Details:

Wet-R-Dri ordering information is shown on the following page. Not all options are available. Contact Betts Sales Department for availability.

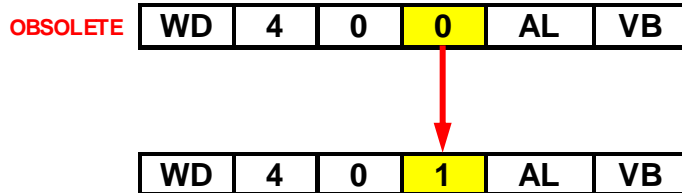
WD	4	0	0	AL	VB	Suffix
-----------	----------	----------	----------	-----------	-----------	---------------

Size	Body Type	Model Type /Actuation	Body Material	Disc Material	Suffix Info. COMMONLY USED
2"	0=TTMA BODY	0=OBSOLETE MODEL NON-DETENT/ MANUAL REPLACE W/ MODEL TYPE 1	AL ALUMINUM	B NITRILE (BUNA N)	001 E-COATED VALVE
3"	1=TTMA BODY W/ ACTUATOR (model types 7,8,9)	1=DETENT MODEL/ MANUAL	GI CAST IRON	E EPDM	002 GREASE FITTINGS IN SHAFT
4"	2=ASA BODY	2=OBSOLETE MODEL LOCKING/ MANUAL REPLACE W/ MODEL TYPE 6		OP WHITE FDA NITRILE (BUNA N) W/ SS SOCKETS	004 VALVE ONLY LESS HANDLE OR ACTUATOR
5"	3=ASA BODY W/ ACTUATOR (model types 7,8,9)	3=SPRING LOADED LOCKING/ MANUAL		VF FKM GFLT-S	014 ASA BODY W/ TTMA DRILLING
6"		4=OBSOLETE MODEL METERING/ MANUAL REPLACE W/ MODEL TYPE 6		VB FKM TYPE B	019 SS SHAFTS W/ SS LINER
8"		5=SPRING LOADED/ MANUAL		U URETHANE	032 LEFT HAND OPERATION
12"		6=METERING/ MANUAL (7- POSITION) HANDLE 28981ALEY		WB WHITE FDA NITRILE (BUNA N)	046 E-COATED VALVE LEFT HAND OPERATION
		7=AIR-AIR MODEL/ PNEUMATIC ACTUATOR			089 225 PSI TESTED W/ FLUOROSILICONE O-RINGS
		8=HYDRAULIC MODEL/ HYDRAULIC ACTUATOR			095 AIR ACTUATED NORMALLY OPEN E-COATED VALVE
		9=AIR-SPRING MODEL/ PNEUMATIC ACTUATOR			

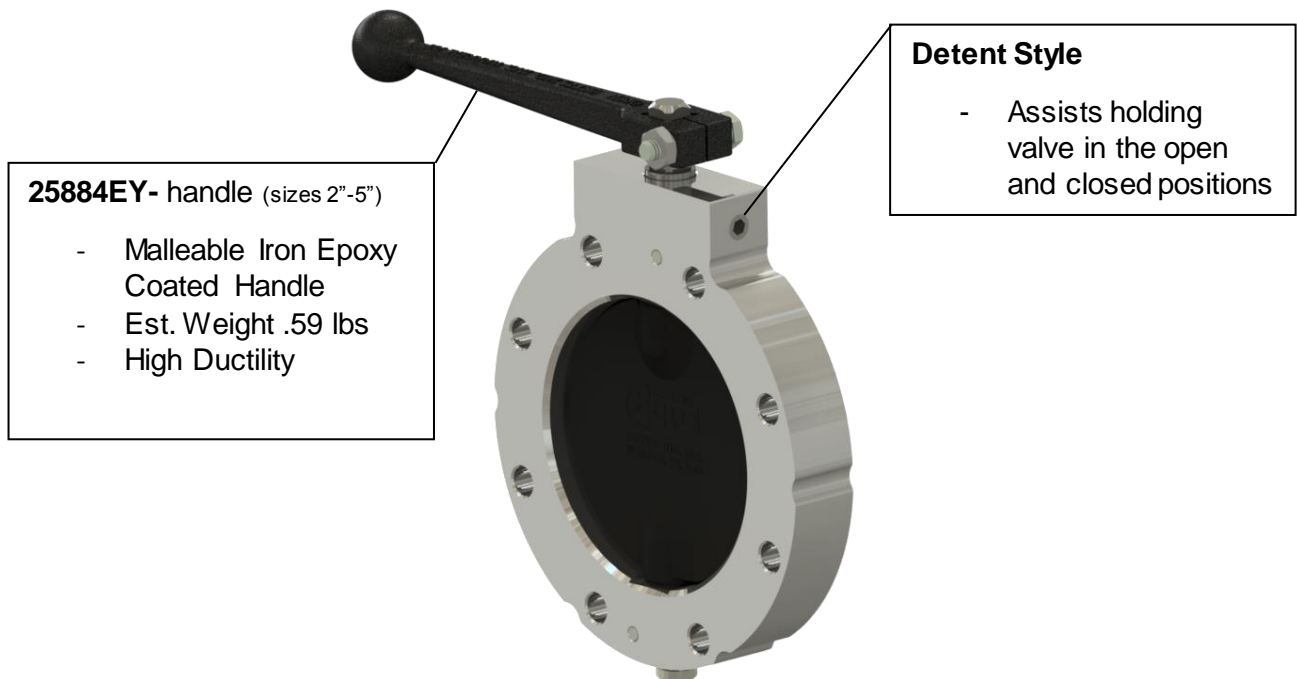
	Form Title:	ENGINEERING BULLETIN	Document #:	EB-02-17 <small>(Form: DEF-003A-1)</small>
	Document Title:		Wet-R-Dri Valve Product Family Changes and New Product Introduction	Revision:
		Date:		Dec. 2017
		Page:		2 of 4

Part Number Changes:

Betts' non-detent WRD models (Model Type 0) are now obsolete and replaced with the detent style models (Model Type 1). Example part numbers shown below.

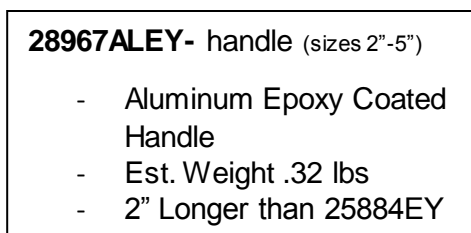


The detent model has a detent spring and ball which assist in holding the disc in the open and closed position.



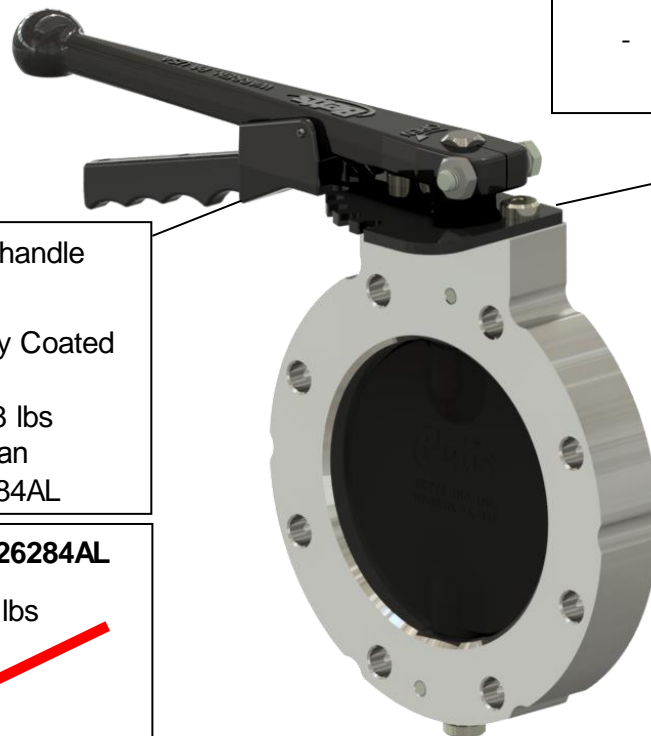
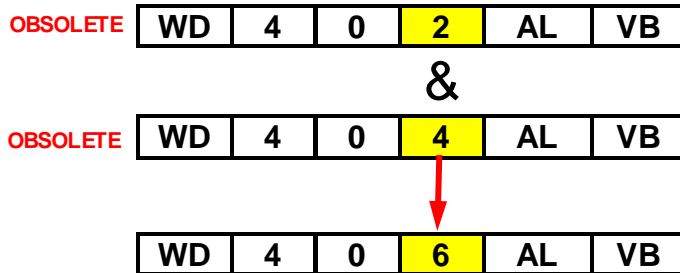
Betts now offers a lightweight longer handle option for valve sizes 2-5". To order a valve with this option add suffix **004** (valve less handle) to the end of the part number and also order 28967ALEY separately.

Lightweight Aluminum Handle Option



Part Number Changes:

Betts' locking and metering WRD models (Model Type 2 & 4) are now obsolete and replaced with the new 7 position metering model (Model Type 6). The new metering model has a 7 position metering plate with a new lightweight metering handle (Sizes 2-5"). The new lightweight handle is built with less components and is approximately 1.25" shorter than the prior metering handle (sizes 2-5"). Example part numbers shown below.



7 Position Metering Plate

- Allows for 7 different positions


28981ALEY- Metering handle assembly (sizes 2"-5")

- Aluminum Epoxy Coated Handle
- Est. Weight .628 lbs
- 1.25" Shorter than 26075AL & 26284AL

Replaces 26075AL & 26284AL

- Est weight .939 lbs

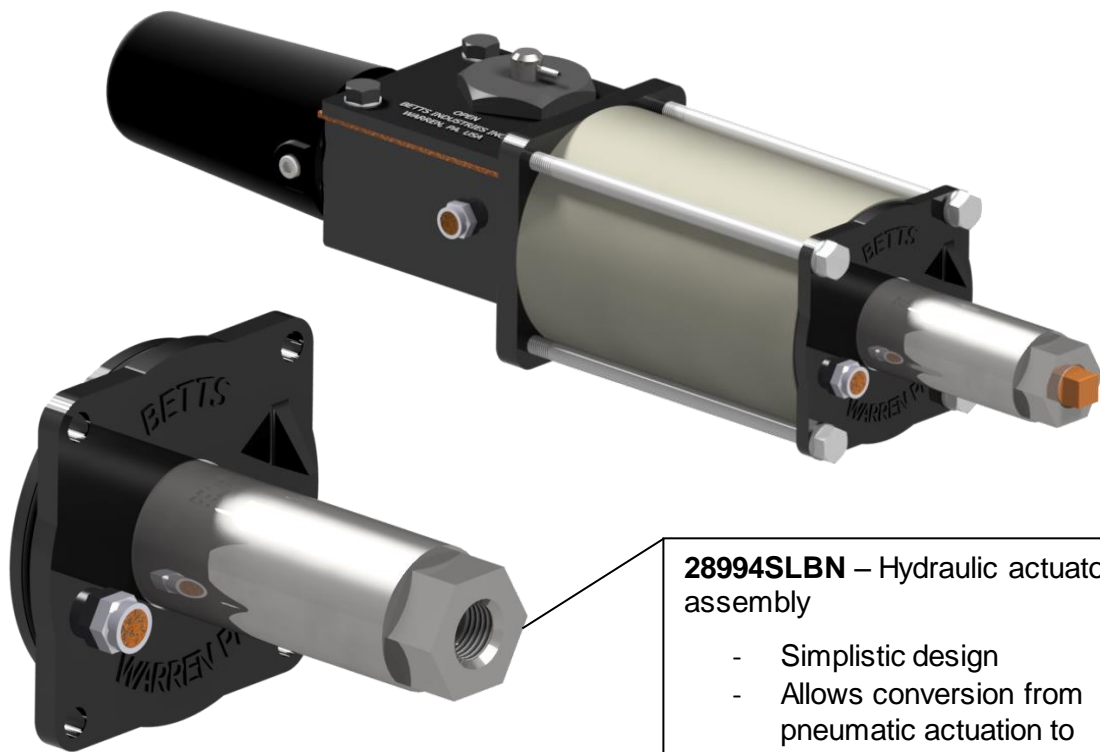


	Form Title:	ENGINEERING BULLETIN	Document #:	EB-02-17 <small>(Form: DEF-003A-1)</small>
				Revision:
	Document Title:	Wet-R-Dri Valve Product Family Changes and New Product Introduction	Date:	Dec. 2017
				Page:

New Model Type Option:

Betts' now offers a hydraulic actuator for all Wet-R-Dri valves. When used in conjunction with Betts' hydraulic pump, a WRD valve can be remotely actuated without the need for tractor supplied pneumatic systems. The new hydraulic actuator allows for easy conversion from any Betts' pneumatic actuator model type 9 to hydraulic actuation. Example part number shown below.

WD	4	1	8	AL	VB
----	---	---	---	----	----

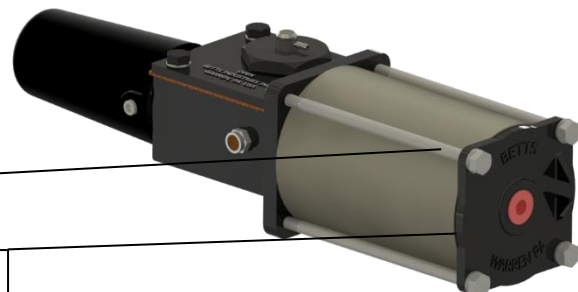


28994SLBN – Hydraulic actuator assembly

- Simplistic design
- Allows conversion from pneumatic actuation to hydraulic
- 1/4-18 NPT inlet

Conversion of a Pneumatic Actuator (Model Type 9) to Hydraulic (Model Type 8)

- Step 1 - Remove the 4 end plate bolts.
- Step 2 - Remove pneumatic endplate.
- Step 3 - Install hydraulic actuator assembly.
- Step 4 - Install 4 end plate bolts. Tightening gradually in a crisscross pattern.



End Plate Bolts

Pneumatic End Plate